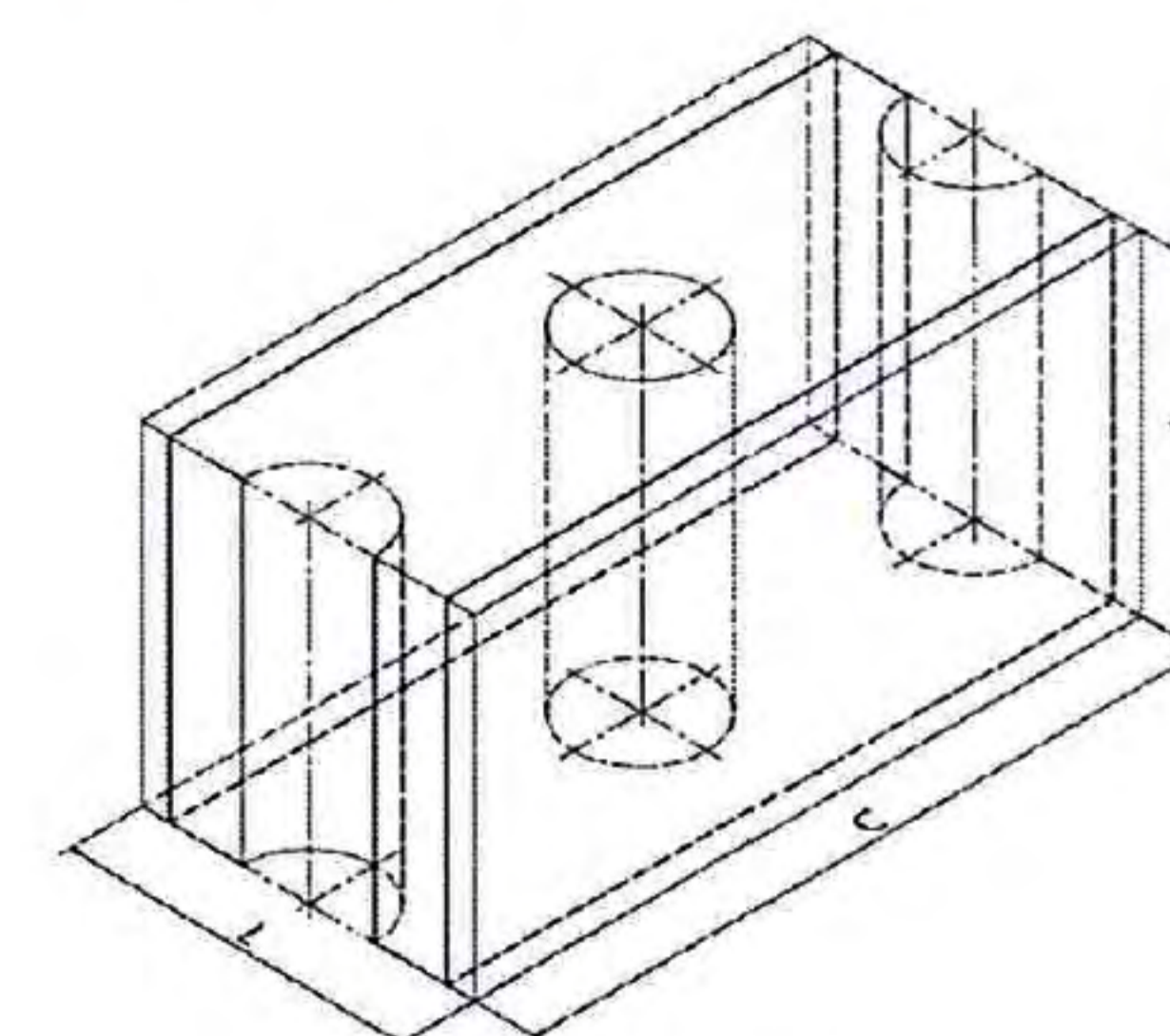


1. Unique Identification code for the product: SMARTBLOC SYSTEM 1 N-BLOC AND L-BLOC

2. Product Type/identification, Series or Batch, or any other elements that identify the construction product:

Model	Length (C)	Width (L)	Height (A)
BLS1600N/ BLS1600U	600 ± 3mm	300 ± 3mm	300 ± 3mm
BLS1600L	750± 3mm 400± 3mm	300 ± 3mm	300 ± 3mm



3. Usage and Applications foreseen for the construction product, as specified by the manufacturer and in accordance with the harmonized technical specification.: Execution of walls, columns & partitions.

4. Name, Brand or trademark and address of Manufacturer (article 11, nº5):

SMARTBLOC SYSTEM 1 Blocs
 FLAVIARTE – Indústria Flaviense de Artefactos de Cimento, S.A.
 Vila Nova da Veiga, 5400-764 Chaves PT

5. Evaluation and performance system for construction material (Annex V): System 2+ – EN 771-3:2011

6. Declared Performance:

ESSENTIAL CHARACTERISTICS	MODEL/ VARIANT	PERFORMANCE	HARMONIZED TECHNICAL SPECIFICATION
Configuration, appearance, external nominal dimensions	All	See nr. 2	EN13501-1:2007 +A1:2009
Dimensional tolerances.		Class D1	
Compressive strength		0.450 MPa	
Reaction to fire.		B-s1, do	
Durability against freeze thaw		PND	NS-EN 12644
Thermal Conductivity		0,055 W/mK	
Mass density		235 kg/m ³	

PND – Performance Not Determined

9. The product performance identified in 1. and 2. Is in accordance with the declared performance stated in 6.

This declaration of performance is issued under the sole responsibility of the manufacturer identified in 4.

Signed by and on the behalf of the manufacturer:

Vila Real, 15th of August 2021

Carlos Morais,
 Administrador